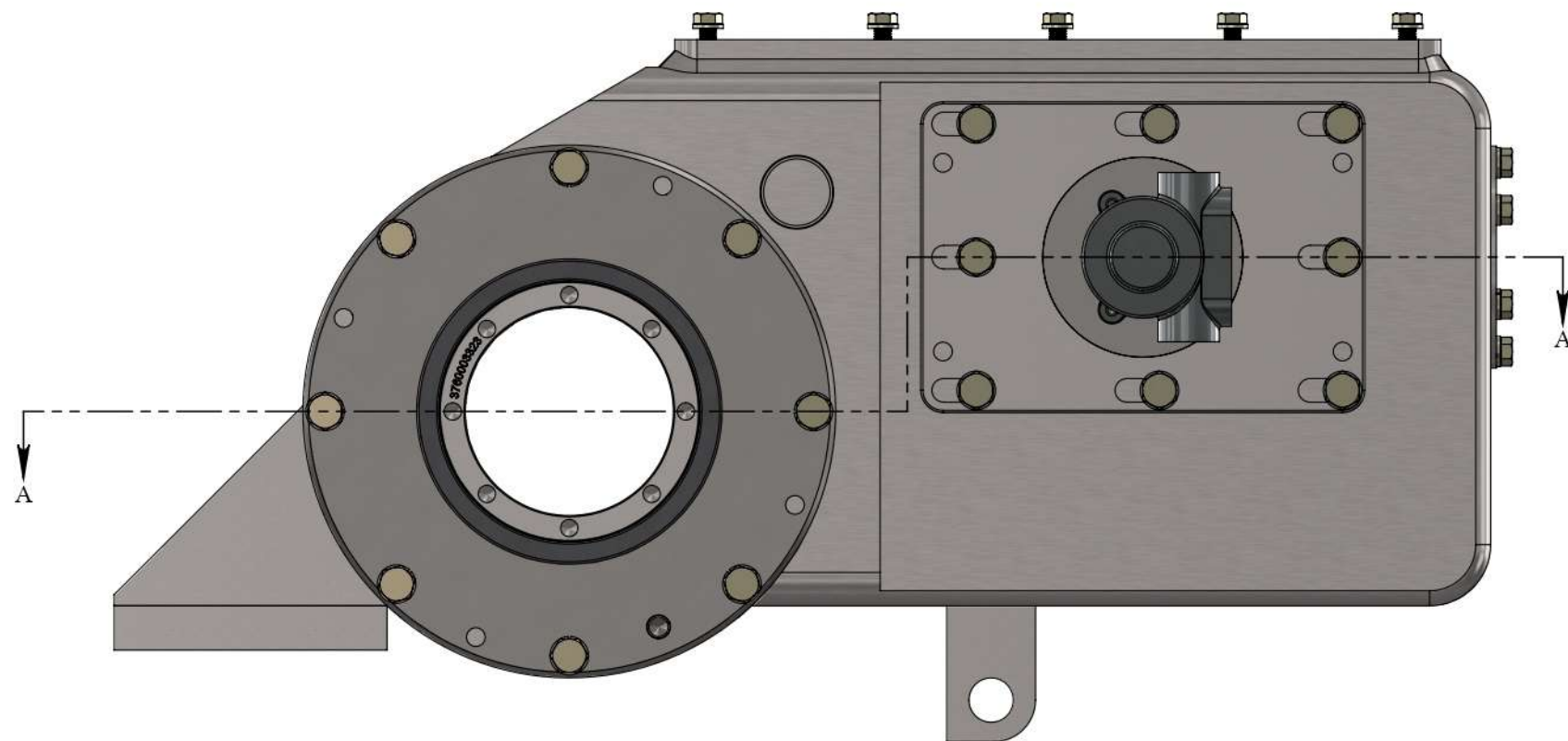


SECTION A-A



# ITEM	Part Number	Description	Qty	Unit Weight	Atlas Copco P/N
1	13-58709	Radial Shaft Seal	2	0.134	3760009500
2	15-211NR	Medium Deep Groove Ball Brg	4	1.382	3760007175
3	15-29330 E	Spherical roller thrust bearing	2	23.873	3760007174
4	15-61830	Deep Groove Ball Bearing	2	2.413	3760007173
5	6408-16	ORB Plug, 16	1	0.416	5503722500
6	15103	3/8-16 x 3/4" Grade 8 Yellow Zinc Finish Hex Cap Screw	6	0.0406	0144328503
7	15105	3/8-16 x 1" Grade 8 Yellow Zinc Finish Hex Cap Screw	12	0.0453	0144328703
8	15209	1/2-13 x 1-1/2" Grade 8 Yellow Zinc Finish Hex Cap Screw	8	0.1170	0144336503
9	15212	1/2-13 x 2-1/4" Grade 8 Yellow Zinc Finish Hex Cap Screw	16	0.1587	0144400206
10	37278	1-8 Grade C Zinc Finish Steel Top Lock Nut	1	0.28	3760007311
11	045100-0600	External retaining Ring	2	0.1900	0335110423
12	045160-0100	Heavy-Duty External retaining Ring	1	0.0092	0335110424
13	1133622	3/8 Zinc Finish Medium Split Lock Washer	18	0.006	5530702900
14	1133626	1/2 Zinc Finish Medium Split Lock Washer	24	0.013	5530702800
15	0337000967	Key sq 1/2x1/2x4-1/4 lg	2	0.296	0337000967
16	0337000968	Key sq 1/4x1/4x3/4lg	1	0.012	0337000968
17	3760003320	Mount lubrication pump	1	15.616	3760003320
18	3760003321	Housing Tensioner	1	14.080	3760003321
19	3760003322	Side Cover	1	0.664	3760003322
20	3760003323	Spindle, CS1500	1	51.488	3760003323
21	3760003324	Split Ring	1	2.936	3760003324
22	3760003325	Cap	2	30.817	3760003325
23	3760003326	Cover Front	1	11.600	3760003326
24	3760003361	Final Weldment Housing	1	268.714	3760003361
25	3760009559	Spacer	2	0.134	3760009559
26	3760009563	Spindle Sprocket Spacer	1	3.776	3760009563
27	3760009564	Spacer Stop	1	0.110	3760009564
28	3760009567	Sprocket, HV Chain, 23T	1	12.80	3760009567
29	3760009568	Sprocket, HV Chain, 57TS	1	34.37	3760009568
30	3760009577	Tensioner Pin	1	1.039	3760009577
31	3760009582	Gasket .062 Thk	2	0.616	3760009582
32	1LEV-C-7	Hydraulic Lube Pump	1	6.066	3760003201
33	3760003319	Mount Transmission	1	28.505	3760003320
34	13-563155	Radial Shaft Seal	1	0.050	3760009503
35	3760007315	Excluder Seal	1	0.148	